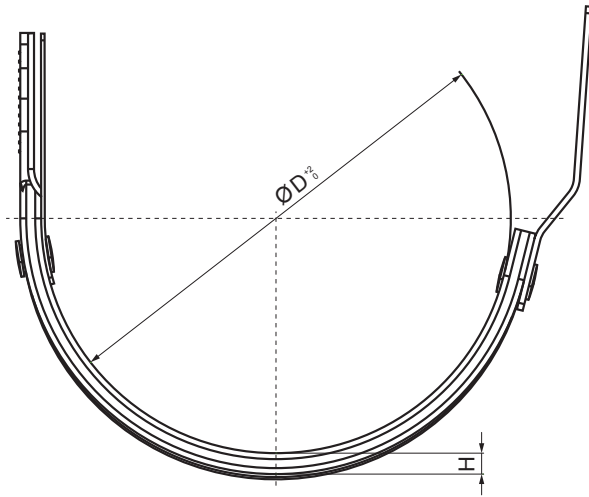
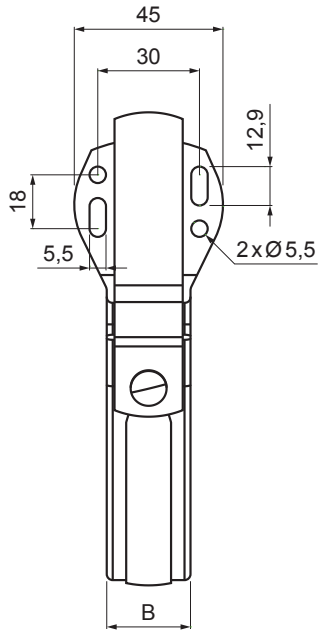


TECHNICAL SHEET



HOOK FASCIA

W-WHPK



BHT Aluminium pre-painted – Grey aluminum – RAL 9007

| Dimensions [mm] | | |
|-----------------|--------|-----|
| Nominal size | B x H | Ø D |
| 250 | 28 x 7 | 105 |
| 280 | 28 x 7 | 127 |
| 333 | 28 x 7 | 153 |
| 400 | 28 x 7 | 192 |

| | | | | | |
|------------------------------|--------|------|------------------|------------------------|--|
| INDEX | CHANGE | DATE | SIGNATURE | KJG QUALITY® | Scan code for 3D model  |
| | | | | | |
| MATERIAL BRAND | | | W.C. | WEIGHT kg | SCALE |
| SIZE, SEMI-FINISHED PRODUCTS | | | | STN STANDARD | SORTING NUMBER |
| AUXILIARY EQUIPMENT | | | | NOTE | POSITION NUMBER |
| ELABORATED BY Ing. Kluska M. | | | | | |
| TESTED BY | | | | OLD DRAWING | DRAWING NUMBER |
| TECHNOLOGIST | | | TECHNOLOGIST | | |
| NAME | | | Hook fascia | | |
| | | | Number of sheets | W-WHPK | Sheet  |

Created: 05.06.2026 08:01:17

Technical changes reserved