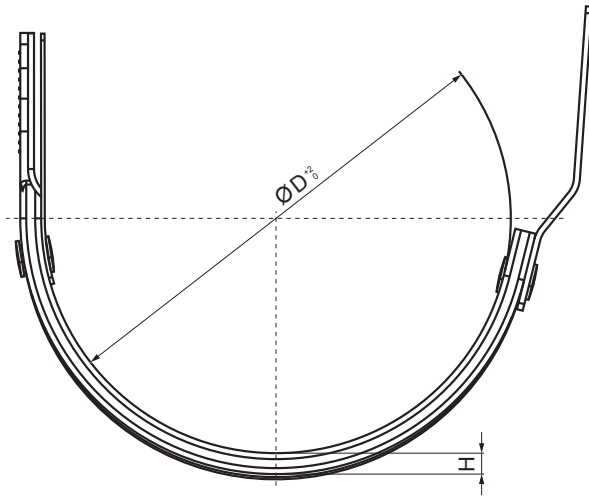
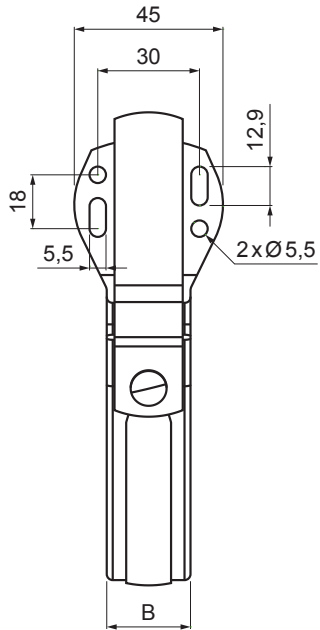


# TECHNICAL SHEET

## HOOK FASCIA

# W-WHPK



**MZ** Aluminium pre-painted – Moss green – RAL 6005

Dimensions [mm]		
Nominal size	B x H	Ø D
250	28 x 7	105
280	28 x 7	127
333	28 x 7	153
400	28 x 7	192

INDEX	CHANGE	DATE	SIGNATURE	<b>KJG</b> QUALITY®	Scan code for 3D model	
MATERIAL BRAND			W.C.	WEIGHT kg	SCALE	
SIZE, SEMI-FINISHED PRODUCTS			AUXILIARY EQUIPMENT		STN STANDARD	SORTING NUMBER
ELABORATED BY Ing. Kluska M.			TESTED BY		NOTE	POSITION NUMBER
TECHNOLOGIST		TECHNOLOGIST	OLD DRAWING		DRAWING NUMBER	
NAME Hook fascia			Number of sheets		W-WHPK Sheet	

Created: 07.06.2026 01:56:50

Technical changes reserved