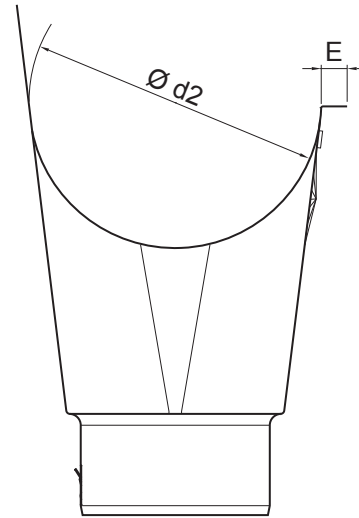
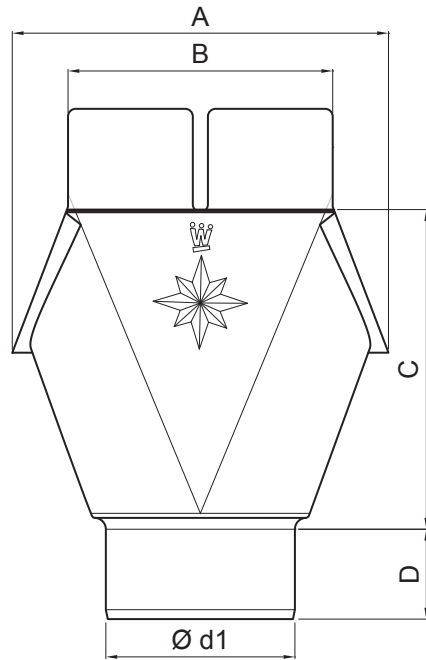


TECHNICAL SHEET OUTLET

W-WKL



OC Aluminium pre-painted – Steel red – RAL 3009

Dimensions [mm]							
Nominal size	Ø d1	Ø d2	A	B	C	D	E
200/60	60	80	115	80	99,5	30	12
250/60	60	105	140	100	127,5	30	12
250/80	80	105	140	120	117,5	40	12
280/80	80	127	165	120	143,5	40	12
280/100	100	127	165	120	142,5	45	14
333/80	80	153	185	140	176,5	40	14
333/100	100	153	185	140	170,0	45	14
333/120	120	153	185	140	171,50	50	14
400/100	100	192	210	160	205,0	45	14
400/120	120	192	210	160	200,4	51	14
400/150	150	192	240	168	205,0	45	14

INDEX	CHANGE	DATE	SIGNATURE	KJG QUALITY®		Scan code for 3D model	QR CODE
				W.C.	WEIGHT kg	SCALE	
MATERIAL BRAND				STN STANDARD			
SIZE, SEMI-FINISHED PRODUCTS				SORTING NUMBER			
AUXILIARY EQUIPMENT				NOTE			
ELABORATED BY Ing. Kluska M.				POSITION NUMBER			
TESTED BY				DRAWING NUMBER			
TECHNOLOGIST		TECHNOLOGIST		OLD DRAWING		DRAWING NUMBER	
NAME Outlet				Number of sheets		W-WKL Sheet	

Created: 07.06.2026 08:41:38

Technical changes reserved