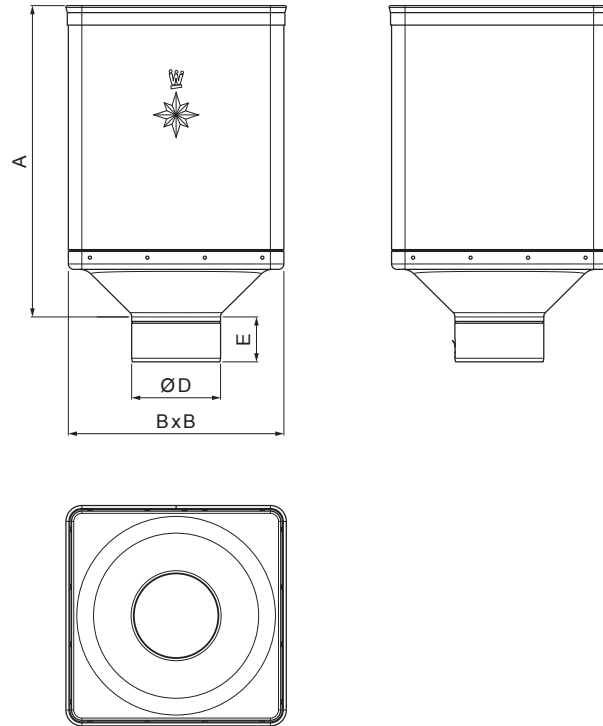


TECHNICAL SHEET




HOPPER DESIGN

W-WKLZ DE



SS Aluminium pre-painted – Mouse grey – RAL 7005

Dimensions [mm]				
Nominal size	A	B	D	E
80	340	240	79	44
100	336	240	99	50
120	333	240	119	60

INDEX	CHANGE	DATE	SIGNATURE		
MATERIAL BRAND			W.C.	WEIGHT kg	SCALE
SIZE, SEMI-FINISHED PRODUCTS			STN STANDARD		SORTING NUMBER
AUXILIARY EQUIPMENT			NOTE		POSITION NUMBER
ELABORATED BY Ing. Kluska M.					
TESTED BY					
TECHNOLOGIST		TECHNOLOGIST	OLD DRAWING		DRAWING NUMBER
NAME			Number of sheets		W-WKLZ DE Sheet 
Hopper DESIGN					

Created: 05.06.2026 14:23:49

Technical changes reserved