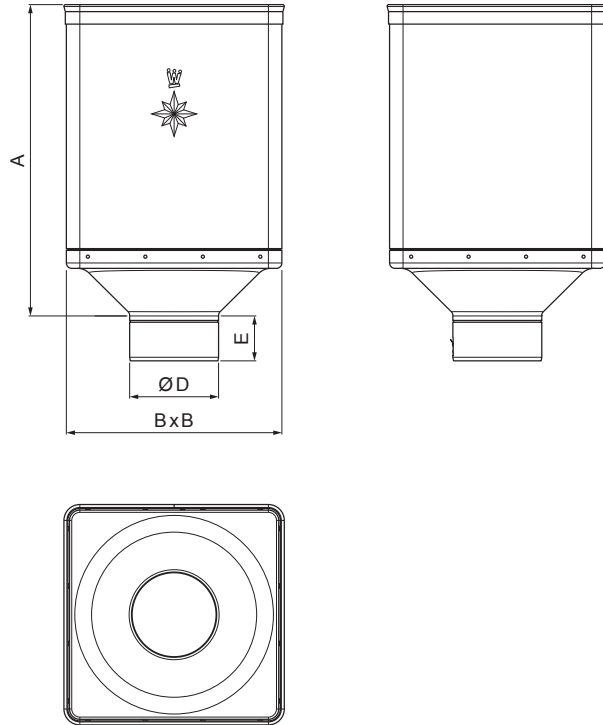


# TECHNICAL SHEET

## HOPPER DESIGN

# W-WKLZ DE



**IC** Aluminium pre-painted – Intense black – RAL 9005

INDEX	CHANGE	DATE	SIGNATURE	<b>KJG</b> QUALITY®	Scan code for 3D model
MATERIAL BRAND			W.C.	WEIGHT kg	SCALE
SIZE, SEMI-FINISHED PRODUCTS			STN STANDARD		SORTING NUMBER
AUXILIARY EQUIPMENT			NOTE		POSITION NUMBER
ELABORATED BY Ing. Kluska M.			OLD DRAWING		DRAWING NUMBER
TESTED BY			DRAWING NUMBER		
TECHNOLOGIST			DRAWING NUMBER		
NAME			Hopper DESIGN		Number of sheets
			W-WKLZ DE		Sheet

Created: 05.06.2026 19:34:07

Technical changes reserved

Dimensions [mm]				
Nominal size	A	B	D	E
80	340	240	79	44
100	336	240	99	50
120	333	240	119	60