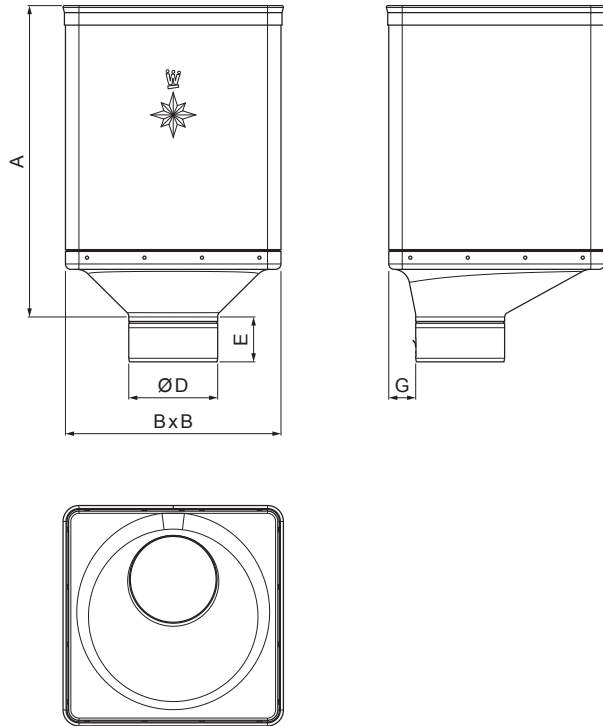


TECHNICAL SHEET

# HOPPER DESIGN ECCENTRIC

# W-WKLZ DX



**AN** Aluminium pre-painted – Anthracite – RAL 7016

Dimensions [mm]					
Nominal size	A	B	D	E	G
80	340	240	79	44	30
100	336	240	99	50	30
120	333	240	119	60	30

INDEX	CHANGE	DATE	SIGNATURE	<b>KJG</b> QUALITY®	Scan code for 3D model
MATERIAL BRAND			W.C.	WEIGHT kg	SCALE
SIZE, SEMI-FINISHED PRODUCTS				STN STANDARD	SORTING NUMBER
AUXILIARY EQUIPMENT				NOTE	POSITION NUMBER
ELABORATED BY Ing. Kluska M.					
TESTED BY					
TECHNOLOGIST		TECHNOLOGIST		OLD DRAWING	DRAWING NUMBER
NAME Hopper DESIGN ECCENTRIC				Number of sheets	W-WKLZ DX Sheet

Created: 04.06.2026 12:36:01

Technical changes reserved