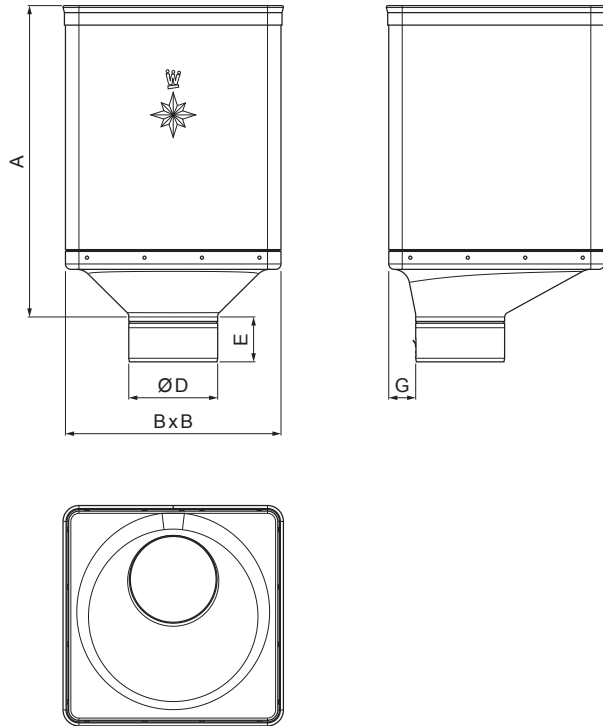


TECHNICAL SHEET




HOPPER DESIGN ECCENTRIC

W-WKLZ DX



W Aluminium – Natur

Dimensions [mm]					
Nominal size	A	B	D	E	G
80	340	240	79	44	30
100	336	240	99	50	30
120	333	240	119	60	30

INDEX	CHANGE	DATE	SIGNATURE		
MATERIAL BRAND			W.C.	WEIGHT kg	SCALE
SIZE, SEMI-FINISHED PRODUCTS				STN STANDARD	SORTING NUMBER
AUXILIARY EQUIPMENT				NOTE	POSITION NUMBER
ELABORATED BY Ing. Kluska M.					
TESTED BY					
TECHNOLOGIST		TECHNOLOGIST		OLD DRAWING	DRAWING NUMBER
NAME			W-WKLZ DX		
Hopper DESIGN ECCENTRIC			Number of sheets		Sheet 

Created: 06.06.2026 21:34:03

Technical changes reserved