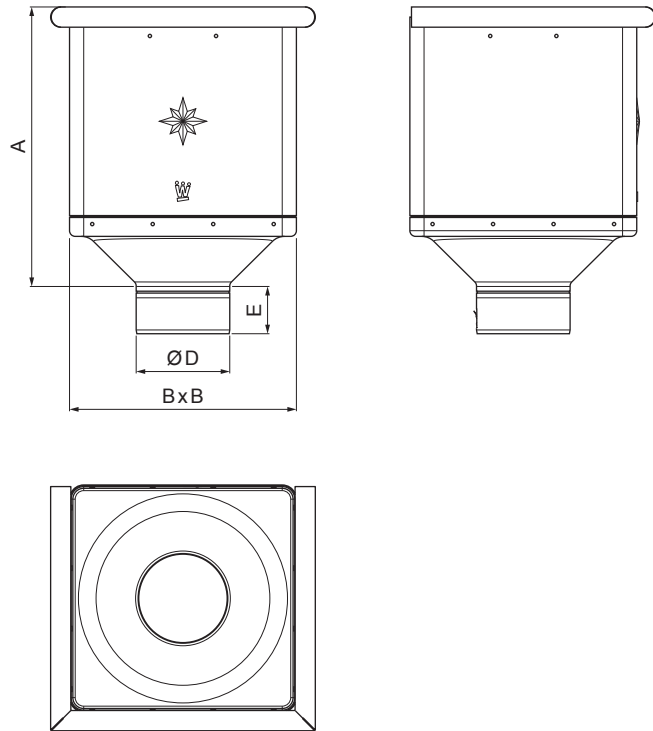


TECHNICAL SHEET



# HOPPER CUBIC

# W-WKLZ KU



**MZ** Aluminium pre-painted – Moss green – RAL 6005

Dimensions [mm]				
Nominal size	A	B	D	E
80	291	240	79	44
100	288	240	99	50
120	284	240	119	60

INDEX	CHANGE	DATE	SIGNATURE	<b>KJG</b> QUALITY®	Scan code for 3D model 
MATERIAL BRAND			W.C.	WEIGHT kg	SCALE
SIZE, SEMI-FINISHED PRODUCTS				STN STANDARD	SORTING NUMBER
AUXILIARY EQUIPMENT				NOTE	POSITION NUMBER
ELABORATED BY Ing. Kluska M.					
TESTED BY					
TECHNOLOGIST		TECHNOLOGIST		OLD DRAWING	DRAWING NUMBER
NAME Hopper CUBIC				Number of sheets	W-WKLZ KU Sheet 

Created: 06.06.2026 17:40:10

Technical changes reserved