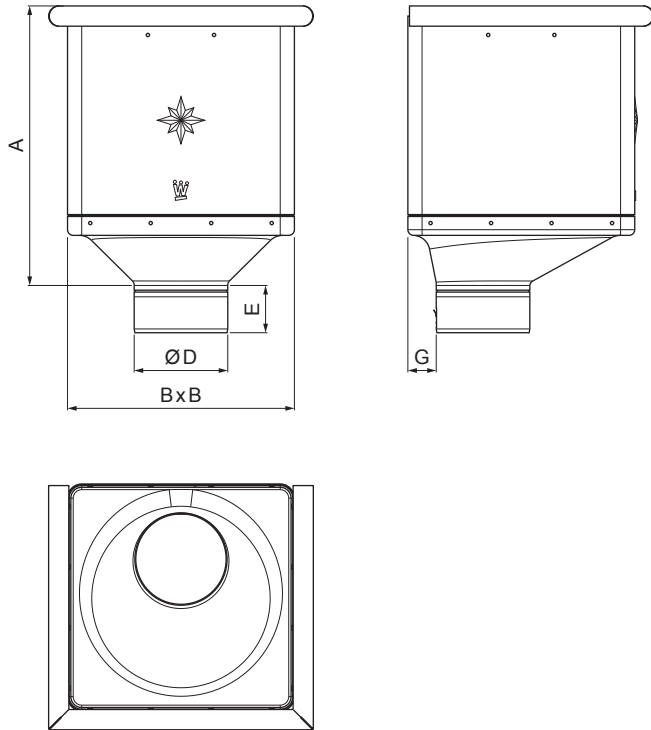


TECHNICAL SHEET

HOPPER CUBIC ECCENTRIC

W-WKLZ KX



IC Aluminium pre-painted – Intense black – RAL 9005

| Dimensions [mm] | | | | | |
|-----------------|-----|-----|-----|----|----|
| Nominal size | A | B | D | E | G |
| 80 | 283 | 240 | 79 | 44 | 30 |
| 100 | 283 | 240 | 99 | 50 | 30 |
| 120 | 283 | 240 | 119 | 60 | 30 |

| | | | | | |
|--------------------------------|--------|------|-----------|------------------------|------------------------|
| INDEX | CHANGE | DATE | SIGNATURE | KJG QUALITY® | Scan code for 3D model |
| | | | | | |
| MATERIAL BRAND | | | W.C. | WEIGHT kg | SCALE |
| SIZE, SEMI-FINISHED PRODUCTS | | | | STN STANDARD | SORTING NUMBER |
| AUXILIARY EQUIPMENT | | | | NOTE | POSITION NUMBER |
| ELABORATED BY Ing. Kluska M. | | | | | |
| TESTED BY | | | | | |
| TECHNOLOGIST | | | | OLD DRAWING | DRAWING NUMBER |
| NAME Hopper CUBIC ECCENTRIC | | | | Number of sheets | W-WKLZ KX Sheet |

Created: 06.06.2026 15:52:51

Technical changes reserved