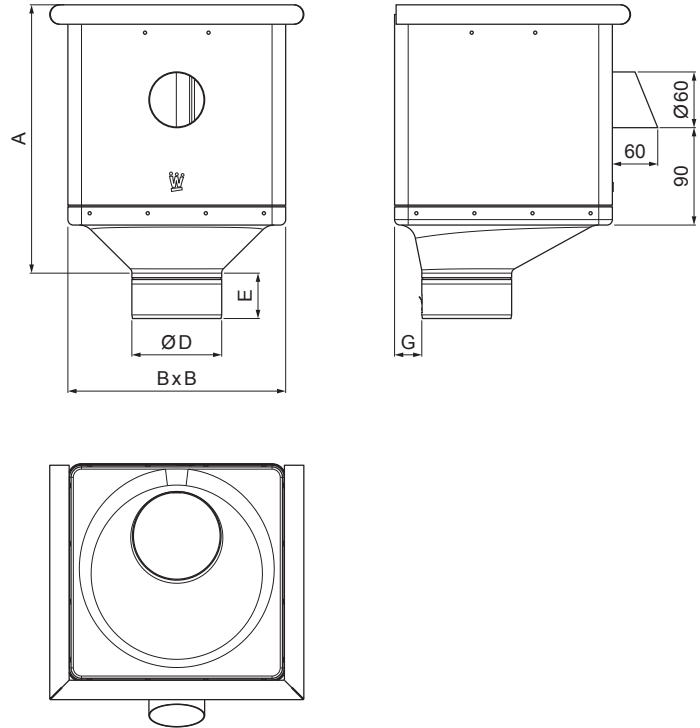





TECHNICAL SHEET

HOPPER CUBIC ECCENTRIC WITH OVERFLOW PIPE W-WKLZ KXV



OC Aluminium pre-painted – Steel red – RAL 3009

Dimensions [mm]					
Nominal size	A	B	D	E	G
80	283	240	79	44	30
100	283	240	99	50	30
120	283	240	119	60	30

INDEX	CHANGE	DATE	SIGNATURE	 	
MATERIAL BRAND			W.C.	WEIGHT kg	SCALE
SIZE, SEMI-FINISHED PRODUCTS			STN STANDARD		SORTING NUMBER
AUXILIARY EQUIPMENT			NOTE		POSITION NUMBER
ELABORATED BY Ing. Kluska M.			OLD DRAWING		DRAWING NUMBER
TESTED BY			TECHNOLOGIST		
NAME			Hopper CUBIC ECCENTRIC with overflow pipe		Number of sheets
			W-WKLZ KXV		Sheet 

Created: 07.06.2026 08:49:24

Technical changes reserved