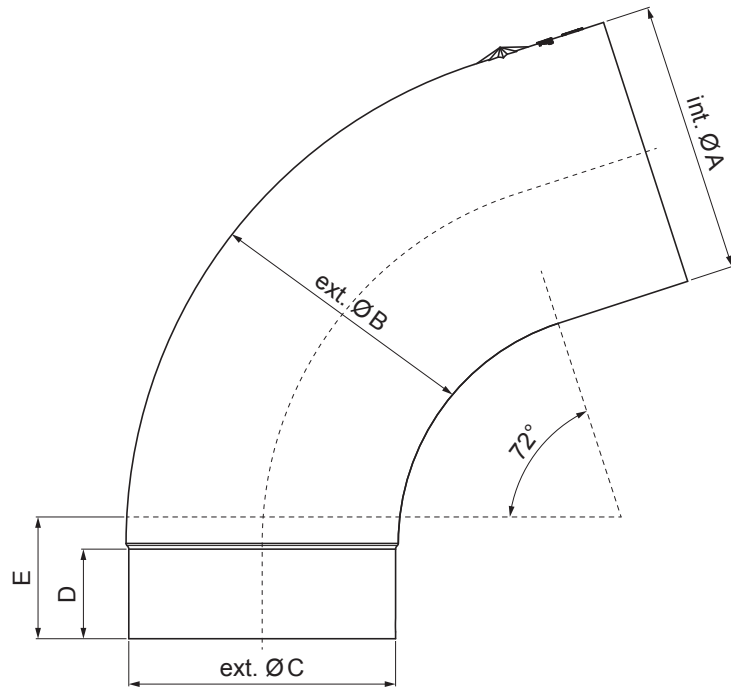





TECHNICAL SHEET

ELBOW 72°

W-WK



BHT Aluminium pre-painted – Grey aluminum – RAL 9007

INDEX	CHANGE	DATE	SIGNATURE		
MATERIAL BRAND			W.C.	WEIGHT kg	SCALE
SIZE, SEMI-FINISHED PRODUCTS				STN STANDARD	SORTING NUMBER
AUXILIARY EQUIPMENT				NOTE	POSITION NUMBER
ELABORATED BY Ing. Kluska M.				OLD DRAWING	DRAWING NUMBER
TESTED BY					
TECHNOLOGIST			TECHNOLOGIST	Number of sheets	W-WK Sheet 
NAME			Elbow 72°		

Created: 07.06.2026 13:26:35

Technical changes reserved

Dimensions [mm]					
Nominal size	Ø A	Ø B	Ø C	D	E
80	80,4	79,0	76,9	28	40
100	100,4	99,0	96,8	35	50
120	120,3	119,0	116,7	42	60