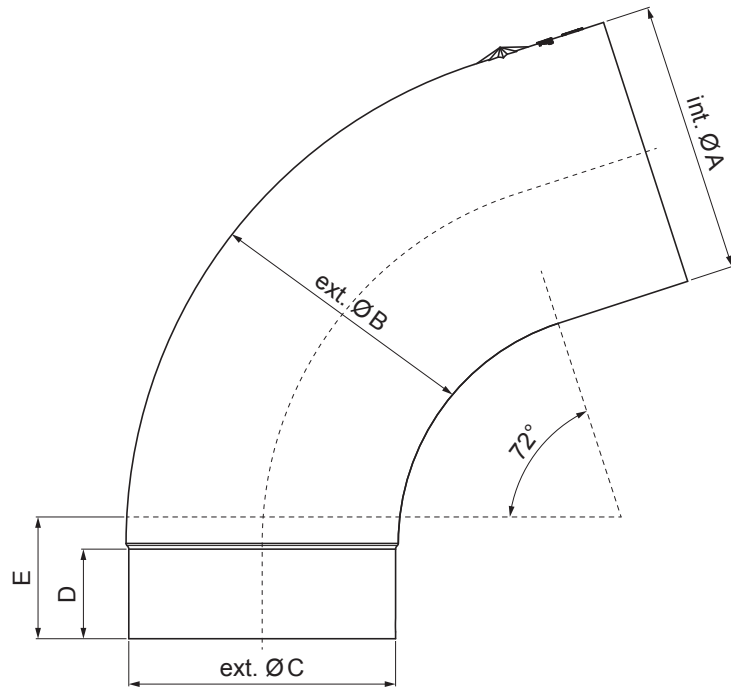


TECHNICAL SHEET ELBOW 72°

W-WK



MH Aluminium pre-painted – Copper brown – RAL 8004

| Dimensions [mm] | | | | | |
|-----------------|-----------------|-----------------|-----------------|----|----|
| Nominal size | $\varnothing A$ | $\varnothing B$ | $\varnothing C$ | D | E |
| 60 | 60,7 | 58,7 | 58,4 | - | 30 |
| 80 | 80,4 | 79,0 | 76,9 | 28 | 40 |
| 100 | 100,4 | 99,0 | 96,8 | 35 | 50 |
| 120 | 120,3 | 119,0 | 116,7 | 42 | 60 |
| 150 | 150,3 | 149,2 | 148,7 | - | 75 |

| | | | | | |
|------------------------------|--------|--------------|-----------|------------------------|------------------------|
| INDEX | CHANGE | DATE | SIGNATURE | KJG QUALITY® | Scan code for 3D model |
| | | | | | |
| MATERIAL BRAND | | | W.C. | WEIGHT kg | SCALE |
| SIZE, SEMI-FINISHED PRODUCTS | | | | STN STANDARD | SORTING NUMBER |
| AUXILIARY EQUIPMENT | | | | NOTE | POSITION NUMBER |
| ELABORATED BY Ing. Kluska M. | | | | | |
| TESTED BY | | | | | |
| TECHNOLOGIST | | TECHNOLOGIST | | OLD DRAWING | DRAWING NUMBER |
| NAME Elbow 72° | | | | Number of sheets | W-WK Sheet |

Created: 06.06.2026 14:43:14

Technical changes reserved