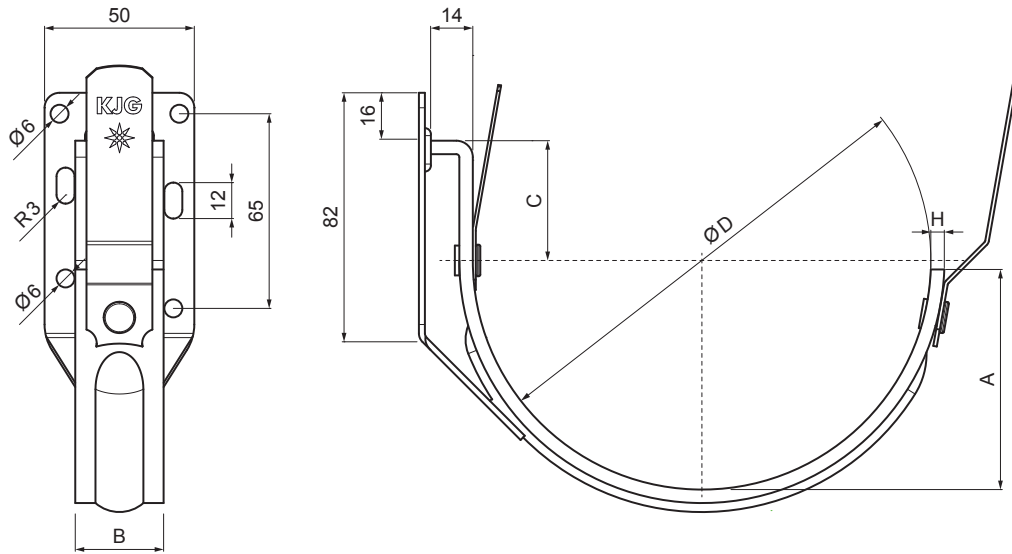


TECHNICAL SHEET



HOOK FASCIA

P-PHPK



P Galvanized steel – Natur

Dimensions [mm]				
Nominal size	A	B x H	C	Ø D
200	37	25 x 4	35	80
250	50	25 x 4	35	105
280	61	25 x 4	35	127
333	74	25 x 5	40	153
400	74	30 x 5	40	192

INDEX	CHANGE	DATE	SIGNATURE	 	
MATERIAL BRAND			W.C.	WEIGHT kg	SCALE
SIZE, SEMI-FINISHED PRODUCTS				STN STANDARD	SORTING NUMBER
AUXILIARY EQUIPMENT				NOTE	POSITION NUMBER
ELABORATED BY Ing. Kluska M.				OLD DRAWING	DRAWING NUMBER
TESTED BY					
TECHNOLOGIST			TECHNOLOGIST		
NAME			Hook fascia		
			Number of sheets	P-PHPK Sheet	

Created: 05.06.2026 16:16:21

Technical changes reserved