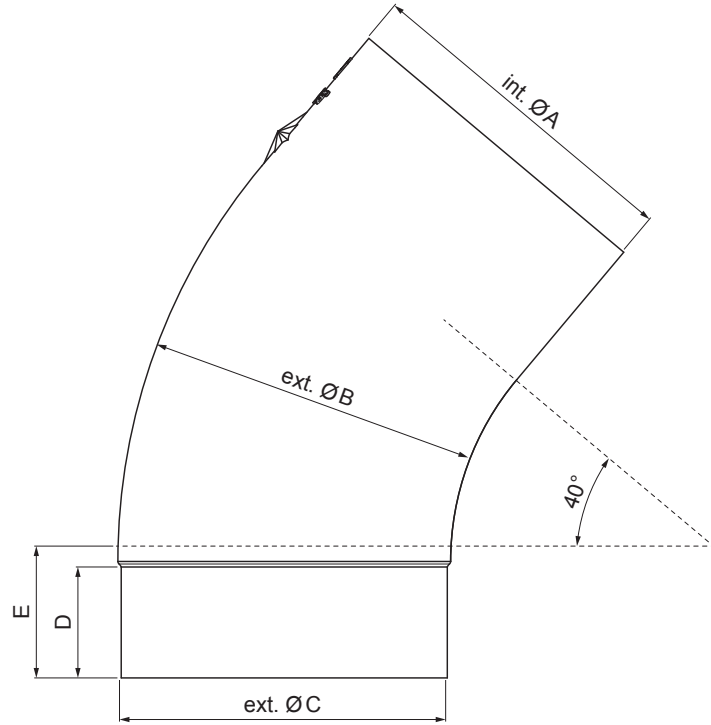


TECHNICAL SHEET

ELBOW BLIND 40°

W-WKT



BH Aluminium pre-painted – White aluminum – RAL 9006

Dimensions [mm]					
Nominal size	$\text{Ø} A$	$\text{Ø} B$	$\text{Ø} C$	D	E
80	80,4	79	76,9	28	40
100	100,4	99,0	96,8	35	50
120	120,3	119,0	116,7	42	60

INDEX	CHANGE	DATE	SIGNATURE	KJG QUALITY®	Scan code for 3D model
MATERIAL BRAND			W.C.	WEIGHT kg	SCALE
SIZE, SEMI-FINISHED PRODUCTS				STN STANDARD	SORTING NUMBER
AUXILIARY EQUIPMENT				NOTE	POSITION NUMBER
ELABORATED BY Ing. Kluska M.					
TESTED BY					
TECHNOLOGIST		TECHNOLOGIST		OLD DRAWING	DRAWING NUMBER
NAME			Elbow blind 40°		
			Number of sheets	W-WKT	Sheet

Created: 04.06.2026 12:59:06

Technical changes reserved