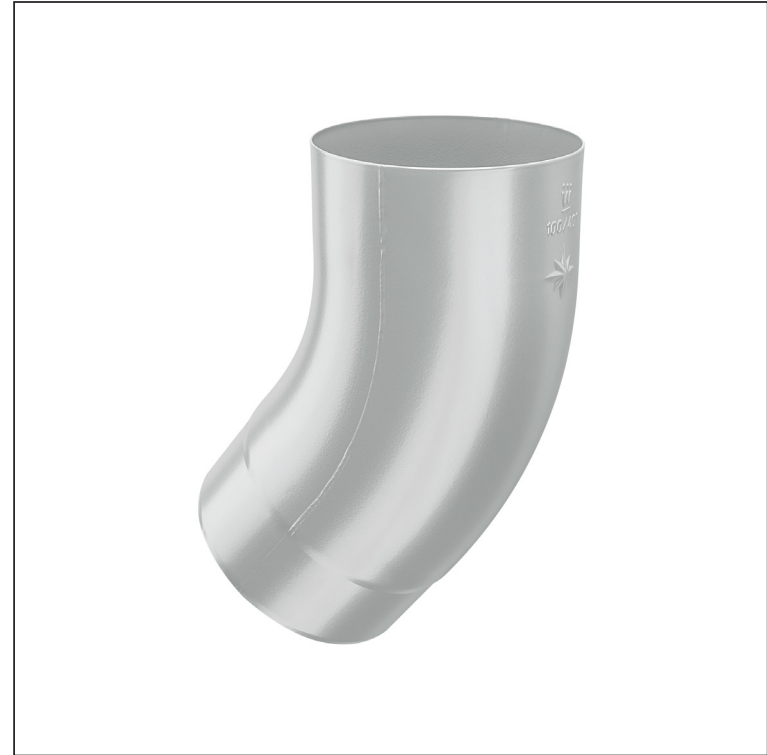
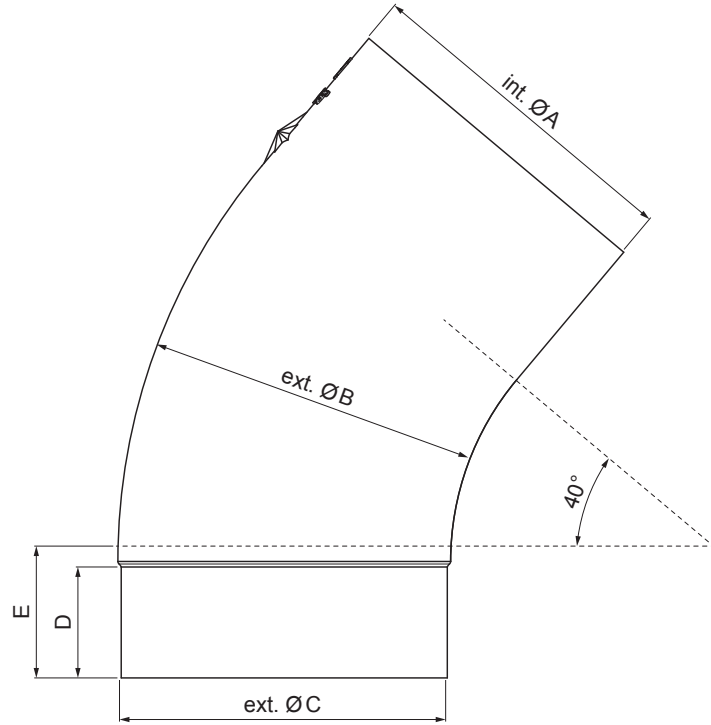


TECHNICAL SHEET


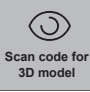


# ELBOW BLIND 40°

# W-WKT



**ZS** Aluminium pre-painted – Zinc grey – RAL extra

Dimensions [mm]					
Nominal size	Ø A	Ø B	Ø C	D	E
80	80,4	79	76,9	28	40
100	100,4	99,0	96,8	35	50
120	120,3	119,0	116,7	42	60

INDEX	CHANGE	DATE	SIGNATURE			
MATERIAL BRAND			W.C.	WEIGHT kg	SCALE	
SIZE, SEMI-FINISHED PRODUCTS					STN STANDARD	SORTING NUMBER
AUXILIARY EQUIPMENT					NOTE	POSITION NUMBER
ELABORATED BY Ing. Kluska M.						
TESTED BY						
TECHNOLOGIST		TECHNOLOGIST	OLD DRAWING		DRAWING NUMBER	
NAME			Elbow blind 40°		Number of sheets	W-WKT Sheet 

Created: 05.06.2026 07:43:07

Technical changes reserved