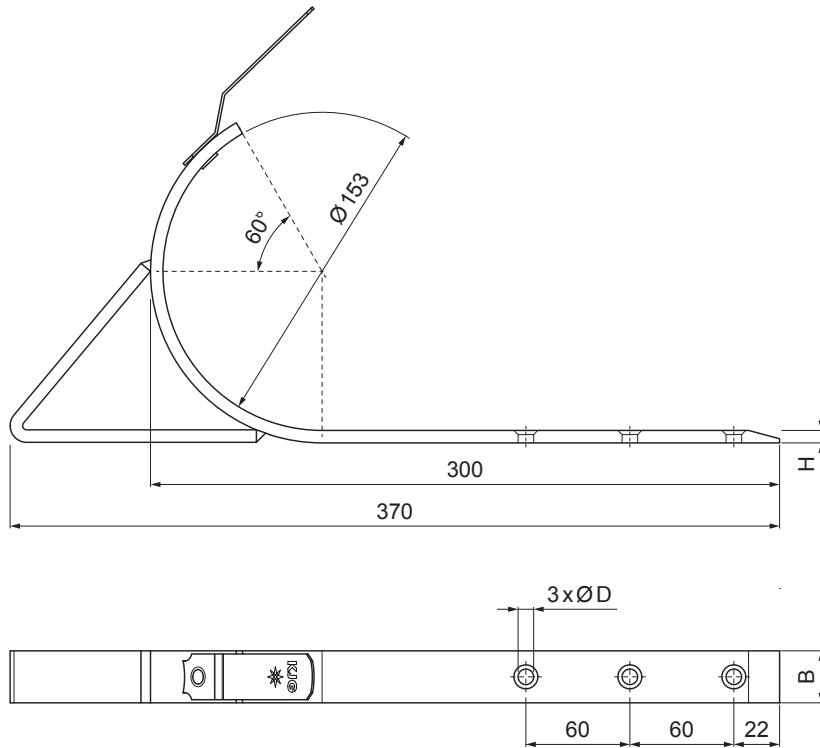






TECHNICAL SHEET

ON-ROOF GUTTER HOOK WITH SUPPORT

P-PHSSN



P Galvanized steel – Natur

INDEX	CHANGE	DATE	SIGNATURE			
MATERIAL BRAND			W.C.	WEIGHT kg	SCALE	
SIZE, SEMI-FINISHED PRODUCTS				STN STANDARD	SORTING NUMBER	
AUXILIARY EQUIPMENT				NOTE	POSITION NUMBER	
ELABORATED BY Ing. Kluska M.				OLD DRAWING	DRAWING NUMBER	
TESTED BY						
TECHNOLOGIST			TECHNOLOGIST			
NAME			On-roof gutter hook with support		Number of sheets	P-PHSSN Sheet 

Created: 05.06.2026 12:21:10

Technical changes reserved

Dimensions [mm]		
Nominal size	B x H	Ø D
4	20 x 6	8